

SERVICE AND PARTS MANUAL

GENERAL MERCHANDISER MODELS 220-221-222 VENDING MACHINES

105
100
5



LEKTRO-VEND CORP.

911 WEST SULLIVAN ROAD
AURORA, ILLINOIS 60506
PHONE 312/896-8555

TABLE OF CONTENTS

Figure	Page
Leveling Machine	2
Door Lock	2
Price Setting	2
Operation Checkout	2
Mint Column Spacers	3
Loading Machine	3
General Maintenance	4
Lubrication	4
Trouble Shooting	4
Machine Warranty	5
Ordering Procedure	6
1 Machine Final Assembly	7
2 Tray Assembly Complete 10 Column	10
3 Tray Assembly Complete 5 Column Low	12
4 Tray Assembly Complete 5 Column High	14
5 Gum And Mint Unit Assembly	16
6 Mint Unit Column Motor Assembly	18
7 Drive Motor Assembly Mint	19
8 Pusher And Drive Bar Assembly	20
9 Door Assembly	21
10 Delivery Tray Assembly	26
11 Junction Box Assembly	27
12 Selector Assembly Complete	28

Lektro Vend

M-300-9402
MANS 604/1

LEVELING MACHINE

Your machine is equipped with four legs and a leveling screw, one for each of the four legs. These screws are adjusted from outside the machine. Adjust these screws so that the machine is level and does not rock or teeter on any of the four legs.

DOOR LOCK

In most cases the machine is shipped without a door lock. However, it does have a pop-out "T" handle door latching device. Any cylinder type lock can be inserted into the handle. With the door open line up the lock latch and one of the 4 slots in the handle. Then push the lock all the way in until it latches. Using the lock key, work the lock and "T" handle a few times to be sure all parts are working properly before attempting to lock door. The lock is not supplied with the machine. Any cylinder type lock of your choice may be used.

PRICE SETTING (MULTI-PRICE)

This machine sells merchandise at any price from 5 cents to \$1.55 on any selection. To set the price there are five price switches for each selection. Price switches are located on the right hand side of the machine (37, Figure #1).

For each selection the price switches must be set by moving the proper switches to the right. From left to right the first switch is 5 cents, second switch is 10 cents, third switch is 20 cents, fourth switch is 40 cents, fifth switch is 80 cents, therefore to set a price for 35 cents the first switch 5 cents, second switch 10 cents and third switch 20 cents must be moved to the right - totaling 35 cents. The price switches may be moved in any combination to total the proper price. (There are no price switches in the changer of the Multi-Price changers).

PRICE SETTING (10 PRICE)

This machine sells merchandise at ten different prices at one time ranging from 5 cents to \$3.15. There are ten sets of switches in the changer. Each of the ten prices in the changer must be set to the desired price. Price number one to price number ten in the changer correspond to the price setting board on the right hand side of the machine (22, Figure 12).

The price board has a ten position slide switch for each selection. To change the price on any selection slide the corresponding switch to price one to ten. Prices on the slide switch will correspond to prices set in the changer. (Only ten price changers have the price setting switches in the changer).

OPERATION CHECKOUT

In the cash box there is an envelope containing price card sheets for the shelf units and price tags for the gum and mint unit. Place the proper price card for the selected selling price in each column (Figure 1, items 83, 84, 85, 86, 88, and 89). The price tag slides into the front of each tray to the right of the column letter plate.

Lektro Vend

The gum and mint price tags slide into slots on the top of the gum and mint display (56, Figure 9).

The machine should now be checked to be sure that all columns are set on the desired price.

- (1) Fill payout tube in coin changer with nickels and dimes and in some changers quarters and place about four gum and mint items in each column.
- (2) Insert a quarter into the machine and operate each column.
- (3) Check that correct change has been issued, corresponding to established selling price.
- (4) Use same procedure using dimes and nickels, inserting exact selling price for each column. Both checks will verify that each column is set on desired price, and also that coin changer is set on desired prices. (Coin changer price setting only on 10 price changer).
- (5) Run gum and mint section until it is sold out.
- (6) When gum and mint section is empty, column will not run. The other sections do not have these features because empty columns are visible.

MINT COLUMN SPACERS

This gum and mint unit will vend 3" or 4" long items. It is shipped ready to vend the 3" items. To vend 4" long items the mint column spacer must be removed. To remove the mint column spacer (9, Figure 5) remove screw (4, Figure 5) then lift up and pull forward. To replace the mint column spacer (9, Figure 5) hook the top of the spacer over the back of the mint column and replace screw (4, Figure 5). Caution: This spacer must be used when vending 2-1/2" to 3" long items.

LOADING MACHINE

These machines have four gum and mint columns and will vend gum or mint from 2-1/2" to 4" long and up to 15/16" high. The tray merchandise section has 35 columns in the 220, 30 columns in the 221, and 25 columns in the 222.

This machine sells the item displayed. Therefore, this eliminates the need for a display bar. Loading is done from the front to the back. To aid in loading, the five shelf sections can be pulled out to the first stop and thus allowing the shelf to tilt down. On the 10 column shelves there is a guide bar (18, Figure 2) to hold merchandise in upright vending position. Place merchandise in auger with spacing approximately 1/4" more than thickness of merchandise. The bottom of merchandise should rest on shelf ahead of auger. When column is filled, move guide bar to the left to hold the merchandise in an upright position. (On 10 column trays only).

Lektro Vend

The gum and mint section is located on the right side of the machine. Open gum and mint door and load gum and mint into desired columns. Do not mix gum or mint in the same column. Gum and mint column closest to shelf section of machine is designated No. 1 then progress in order to column No. 4 which is farthest away from the shelf section. After filling gum and mint section, be sure to close gum and mint door, so gum and mint will not be dumped in operation. However, if this detail is overlooked, door will close automatically when the machine door is closed.

The gum and mint display items should now be placed into their proper display location, which is located on the door above selector. Gum and mint display will swing down to change display or price cards. The display must correspond to the gum and mint columns, column 1 is selection 1; column 2, selection 2; column 3, selection 3; and column 4, selection 4.

GENERAL MAINTENANCE

FINISH

The finish of your Lektro-Vend machine is a baked-on enamel, which will provide an attractive, long-wearing surface. This finish is similar to automobile finishes, and should be treated in the same manner. Every few months clean and wax the machine to prolong the life of the paint and enhance the appearance. All unpainted parts are anodized aluminum, chrome plated or stainless steel. Clean these parts with a damp cloth.

LUBRICATION

Lubricate all moving parts in the machine every six to twelve months, depending upon the use of the machine. If it becomes necessary to replace any mechanism part in the machine, be sure to lubricate it before installing it. Lubriplate is the recommended lubricant. This lubricant will adhere to parts and does not tend to run. Oil can run and might get into the switches or other electrical parts and cause future problems.

TROUBLE SHOOTING

VENDING UNITS, MULTI-PRICE AND 10 PRICE

This vending machine is equipped with a motor to drive each column independently and 4 mint timing motors. The mint timing motors and all column motors are 24 volt A.C. The 4 mint timing motors each start the mint drive motor. This motor is a 117 volt A.C.

Each motor should make one revolution per vend. Each motor has a cycle switch operated by a cam on the motor shaft. The motor must stop with the switch on the low side of the cam (switch in normally closed position). If the auger is turned by hand so the switch is moved to the high side of the switch, the auger should complete one revolution.

VENDING UNITS MULTI-PRICE ONLY

The switches on each motor are wired in series so only one motor may run at a time. This wire is on the line 1 side and starts at coin changer plug "A" (see wiring schematic) terminal #15, to mint unit plug "B" terminal #1 through all

mint motor cycle switches in series out terminal 3 to plug "G" terminal #1 through the cycle switches and out terminal #3. This wire goes from plug "G" terminal #3 to Plug "F" terminal #1 out F3 to E1 out E3 to D1 out D3 to C1 out C3 to coin changer plug "A" terminal #6. This wire must be continuous, if any switch is open, the machine will not work. To test each unit unplug one unit at a time and jumper pin #1 and #3 of any unit. This will allow all other units to work. One side of the motor is wired to line 2 and is never open.

SELECTOR MULTI-PRICE

Each selector push button actuates a switch. The switches are wired in series so only the last switch pushed will work. Wire from each switch goes to the price board then to the motor. If the proper amount of money is in the changer the motor will run. The gum and mint unit selector switch wire goes to the mint column empty switch then to the price board so if the column is empty the column will not operate.

VENDING UNIT 10 PRICE

The switches on each motor are wired in series so only one motor may run at a time. This wire is on the line 2 side and starts at power outlet for 24 volts (see wiring schematic) terminal #2 to plug "G" terminal #2 through all motor cycle switches in series and out plug "G" terminal #1 to F2 out F1 to E2 out E1 to D2 out D1 to C2 out C1 to gum and mint plug "B" terminal #2 through all mint column motor cycle switches in series out plug "B" terminal #1 to vend relay coil.

The vend relay is energized except when a motor is running. This relay then drops out breaking the line to the selector switches and breaking line #6 to the changer to reset the changer.

SELECTOR 10 PRICE

Each selector push button actuates a switch. The switches are wired in series so only the last switch pushed will work. Wire from each switch goes to the motor through the motor coil and out to the price board. If the proper amount of money is in the changer the motor will get line 1 from the price board and line 2 from the push button to start the motor. In the gum and mint only the push button wire will go through the mint empty switch before going to the mint column motor coil. If the mint column is empty the column will not operate.

MACHINE WARRANTY

GENERAL WARRANTY

Equipment produced by the Lektro-Vend Corporation is guaranteed to be free from defects in workmanship and material, and will be replaced or repaired without charge when, upon inspection, items are found to be defective. Said warranty to cover one year (12 months) from date of shipment. This warranty does not obligate us where parts or components have been injured by careless handling or improper application. This warranty is valid to the original purchaser only. The term original purchaser as used in this warranty will be

Lektro Vend

deemed to be that person, firm, association or corporation to whom the machine referred to herein was sold originally. Coin mechanism is covered by the manufacturer, not Lektro-Vend Corporation.

ORDERING PROCEDURE

When ordering parts, the cabinet serial number and machine model number must accompany the order. This will help insure your obtaining the proper part. When ordering be sure to include the quantity desired, part number and description of the part being ordered. All parts must be ordered from Lektro-Vend Corp., 911 West Sullivan Road, Aurora, Illinois 60506. All parts will be shipped FOB Aurora, Illinois. Credit will be issued if the defective part is still under warranty and is returned prepaid within 10 days with a return authorization card. Any special handling such as air mail shipment, must be paid by purchaser.

RETURNING DEFECTIVE PARTS

Defective parts must be returned to Lektro-Vend Corp., 911 West Sullivan Road, Aurora, Illinois 60506, prepaid, within 10 days after the receipt of the replacement part. If the part returned is found to be defective due to material or workmanship and is still under warranty, credit will be issued. If the defective part is not returned within 10 days, it will automatically be assumed that the item has been purchased by the customer. All returned parts must have a return authorization card.

DAMAGE IN SHIPMENT

Upon receipt of your equipment, it is your responsibility to note any visible damage to the outside of the crate that might affect the contents. This must be reported to the delivering carrier. Upon removal of the crate, if hidden damage is found, this also must be reported to the delivering carrier. We cannot be held responsible for damages incurred to the equipment while in transit to the delivering carrier. We will assist you in every way possible. To obtain full benefit under the Lektro-Vend Corp. warranty, be sure to furnish the cabinet serial number and model number when returning any parts, ordering parts, or in any other correspondence.

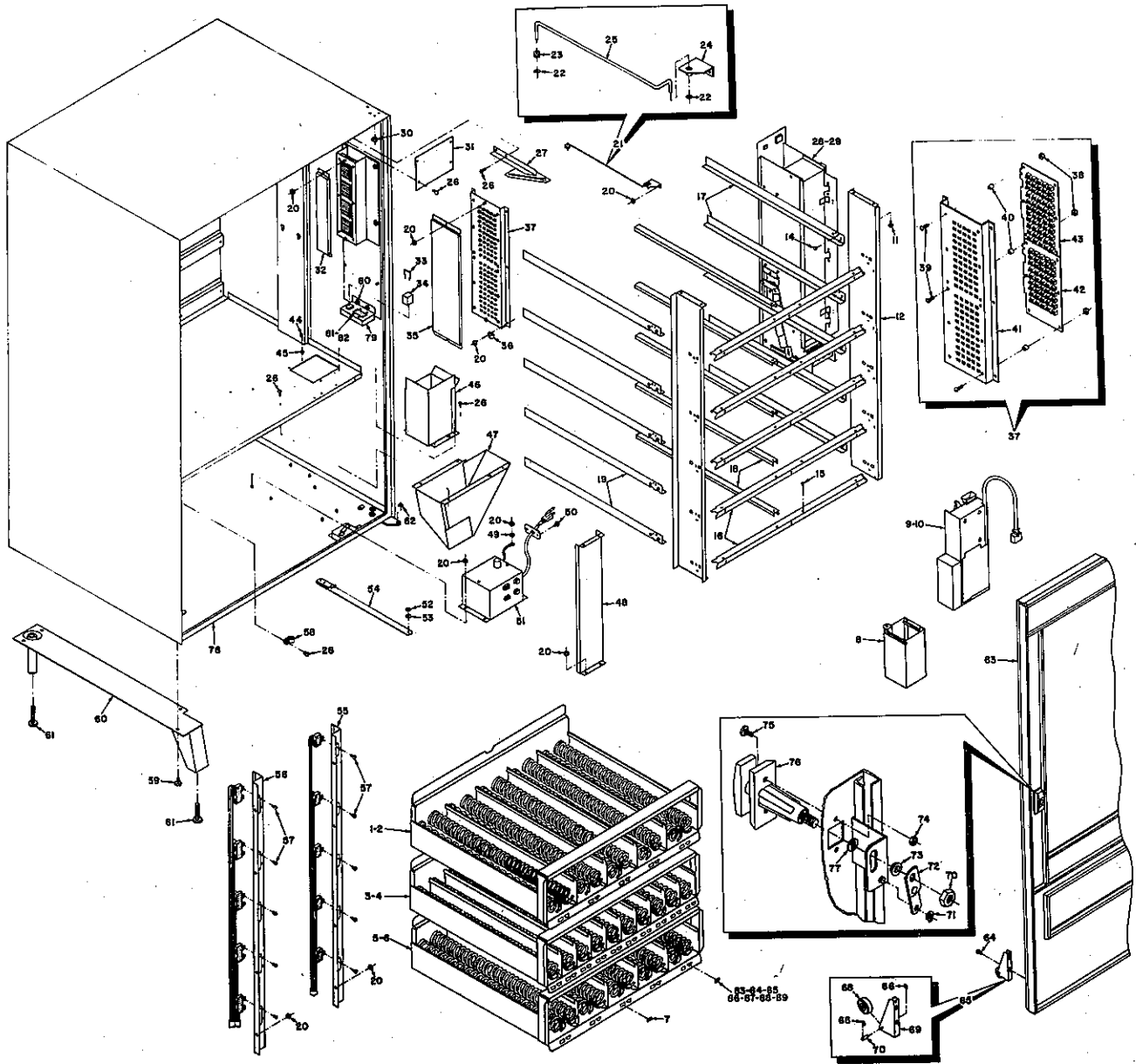


Figure 1 -- Machine Final Assembly

Lektro Vend

INDEX NO.	PART NO.	DESCRIPTION	QTY. PER ASSEM.
1	220-5059	5 Column High Tray Assem. Comp. (Multi-Price Only)	0 or 2
2	220-5087	5 Column High Tray Assem. Comp. (10 Price Only)	0 or 2
3	220-5061	10 Column Tray Assem. Complete (Multi-Price Only)	0 to 2
4	220-5088	10 Column Tray Assem. Complete (10 Price Only)	0 to 2
5	220-5060	5 Column Low Tray Assem. Comp. (Multi-Price Only)	0 to 3
6	220-5086	5 Column Low Tray Assem. Comp. (10 Price Only)	0 to 3
7	220-8010	Column Letter Plate	1
8	210-5080	Cash Box Assembly	1
9	200-8016	Coinco M300 Multi-Price Changer w/Quarter Payout	0 to 1
10	200-8018	Coinco M300 Multi-Price Changer	0 to 1
11	S20C1032-6	Screw And Lockwasher #10-32 x 3/8	8
12	220-4041	Right Hand Support	1
13	220-4040	Left Hand Support	1
14	210-8012	Plastic Canoe Clip .060 Round Head	10
15	210-8021	Plastic Canoe Clip .100 Round Head	20
16	210-4020	Support - Front Track	5
17	210-4032	Track Right Hand	5
18	210-4035	Center Track	5
19	210-4031	Track Left Hand	5
20	N20C832	Nut And Lockwasher #8-32	22
21	220-5075	Door Closer Rod Assembly	1
22	210-8017	Pushnut	2
23	210-6015	Slide - Mint Door Closer	1
24	210-5071	Door Bracket Assembly	1
25	220-7002	Mint Door Closer Rod	1
26	S42C832-4	Screw #8-32 x 1/4	16
27	210-5073	Door Closer Slide Assembly	1
28	200-5050	Gum And Mint Assembly (Multi-Price Only)	0 or 1
29	220-5091	Gum And Mint Assembly (10 Price Only)	0 or 1
30	N20C2520	Nut And Lockwasher 1/4 - 20	4
31	160-4093	Vent Cover	1
32	220-4092	Cover - Matrix Switch (10 Price Only)	0 or 1
33	200-8020	Keeper Wire Miniature Relay (10 Price Only)	0 or 1
34	200-8010	24 Volt Miniature Relay (10 Price Only)	0 or 1
35	220-4075	Price Exchange Cover (Multi-Price Only)	0 or 1
36	001-8018	Wire Clamp 5/8	2
37	220-5039	Price Board Assembly (Multi-Price Only)	0 or 1
38	N20C832	Nut And Lockwasher #8-32	0 or 12
39	S20C832-12	Screw And Lockwasher #8-32 x 3/4	0 or 12
40	200-6003	Spacer - Price Board (Multi-Price Only)	0 or 12
41	220-5040	Price Board Mounting Assembly (Multi-Price Only)	0 or 1
42	220-8004	18 Column Price Board (Multi-Price Only)	0 or 1
43	200-8001	22 Column Price Board (Multi-Price Only)	0 or 1
44	S42C832-5	Screw #8-32 x 5/16	1
45	220-6007	Retainer Bushing	1
46	220-5043	Upper Mint Chute Assembly	1

Figure 1 -- MACHINE FINAL ASSEMBLY

INDEX NO.	PART NO.	DESCRIPTION	QTY. PER ASSEM.
47	220-5042	Mint Chute Assembly	1
48	220-4052	Support - Main Shelf	1
49	W10C8	Flat Washer #8	1
50	S40C1016-6	Screw #10-16 x 3/8	2
51	200-5070	Junction Box Assembly Complete - Fuse	1
52	R10K312X	Retaining Ring 5/16	1
53	W10C312	Flat Washer 5/16	1
54	210-5076	Stop Arm Assembly	1
55	220-4039	Plug Bracket (Multi-Price Only)	0 or 1
56	220-4094	Plug Bracket (10 Price Only)	0 or 1
57	S20C632-4	Screw And Lockwasher #6-32 x 1/4	10 to 20
58	001-8019	Wire Clamp 7/8	3
59	S30C3118-12	Screw And Lockwasher #5/16-18 X 3/4	8
60	210-5023	Cabinet Leg Assembly	2
61	001-8007	Leveler	4
62	150-8252	Bottom Hinge Bearing	1 or 2
63	220-5021	Door Assembly	1
64	S20C2520-8	Screw And Lockwasher #1/4-20 X 1/2	2
65	150-5244	Door Support Roller Assembly	1
66	R10K250	Retaining Ring - 1/4	2
67	001-6120	Door Support Pin	1
68	150-3020	Door Support Roller	1
69	150-4270	Door Support Roller Bracket	1
70	N23C5013	Nut #1/2 - 13	1
71	R12K312	Retaining Ring - 5/16	1
72	170-5028	Drive Cam And Lift Lever Assembly	1
73	170-6008	Spacer Bushing	1
74	N20C1024	Nut And Lockwasher #10-24	2
75	S26C1024-8	Carriage Bolt #10-24 X 1/2	2
76	170-8012	"T" Handle	1
77	170-4089	Washer - Double "D"	1
78	220-5050	Cabinet Weldment	1
79	220-4091	Coin Socket Mounting Bracket (10 Price Only)	0 or 1
80	N20C832	Nut And Lockwasher #8-32 (10 Price Only)	0 or 2
81	S20C632-5	Screw And Lockwasher #6-32 x 5/16 (10 Price Only)	0 or 4
82	N20C632	Nut And Lockwasher #6-32 (10 Price Only)	0 or 4
83	220-8016	Price Card - 20 cents	1
84	220-8017	Price Card - 25 cents	1
85	220-8018	Price Card - 30 cents	1
86	220-8019	Price Card - 35 cents	1
87	220-8020	Price Card - 40 cents	1
88	220-8021	Price Card - 45, 50, 55, 60 cents	1
89	220-8022	Price Card - 65, 70, 75, 80 cents	1

Figure 1 -- MACHINE FINAL ASSEMBLY

Lektro Vend

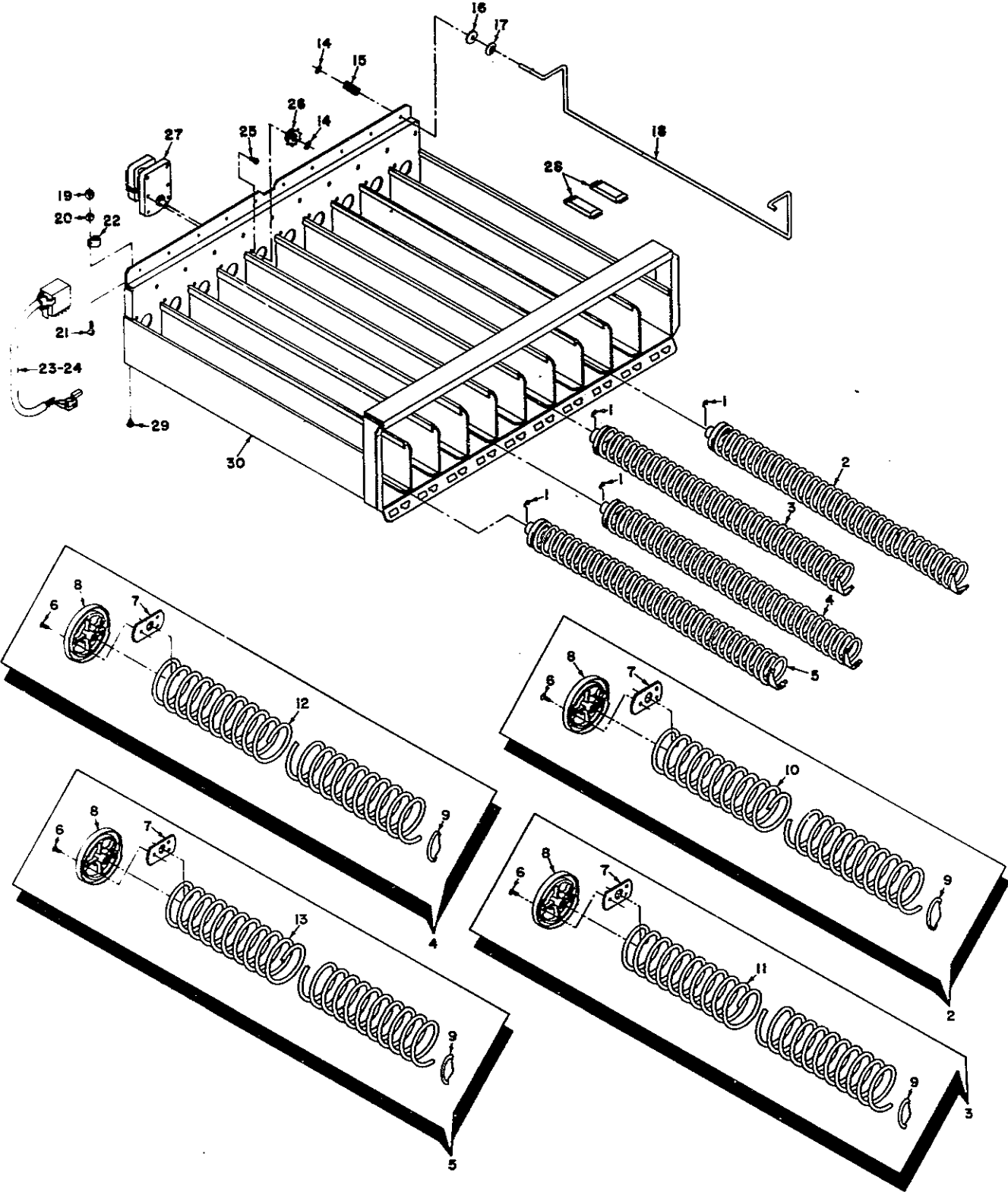


Figure 2 -- Tray Assembly Complete - 10 Column

INDEX NO.	PART NO.	DESCRIPTION	QTY. PER ASSEM.
1	R10K312	Retaining Ring 5/16	10
2	210-5120	Right Hand Spring Auger Assembly - 13/16" Pitch	1
3	210-5120	Right Hand Spring Auger Assembly - 1" Pitch	5
4	210-5122	Right Hand Spring Auger Assembly - 1 3/16" Pitch	3
5	210-5123	Right Hand Spring Auger Assembly - 1 1/2" Pitch	1
6	S44C832-8	Screw #8-32 x 1/2	20
7	210-4036	Retainer - Helix	10
8	210-3006	Drive Gear - Helix	10
9	210-3020	Ejector	10
10	210-7013	Right Hand Spring Auger - 13/16" Pitch	1
11	210-7010	Right Hand Spring Auger - 1" Pitch	5
12	210-7014	Right Hand Spring Auger - 1 3/16" Pitch	3
13	210-7015	Right Hand Spring Auger - 1 1/2" Pitch	1
14	210-8017	Pushnut	20
15	210-7001	Compression Spring	10
16	210-9005	Friction Washer	10
17	210-4037	Cup Washer	10
18	220-7001	Adjustable Product Retainer	10
19	N20C832	Nut And Lock Washer #8-32	1
20	W10C8	Plain Washer #8	1
21	S20C832-8	Screw And Lockwasher #8-32 x 1/2	1
22	001-8017	Wire Clamp	1
23	220-5069	Tray Wire Harness (Multi-Price Only)	0 or 1
24	220-5090	Tray Wire Harness (10 Price Only)	0 or 1
25	S41C832-6	Screw #8-32 x 3/8	20
26	210-3005	Drive Gear	10
27	200-8005	Drive Motor	10
28	210-3010	Wear Pad	10
29	210-8021	Canoe Clip - .100 Round Head	3
30	220-5064	Tray Weldment - 10 Column	1

Figure 2 -- TRAY ASSEMBLY COMPLETE - 10 COLUMN

Lektro Vend

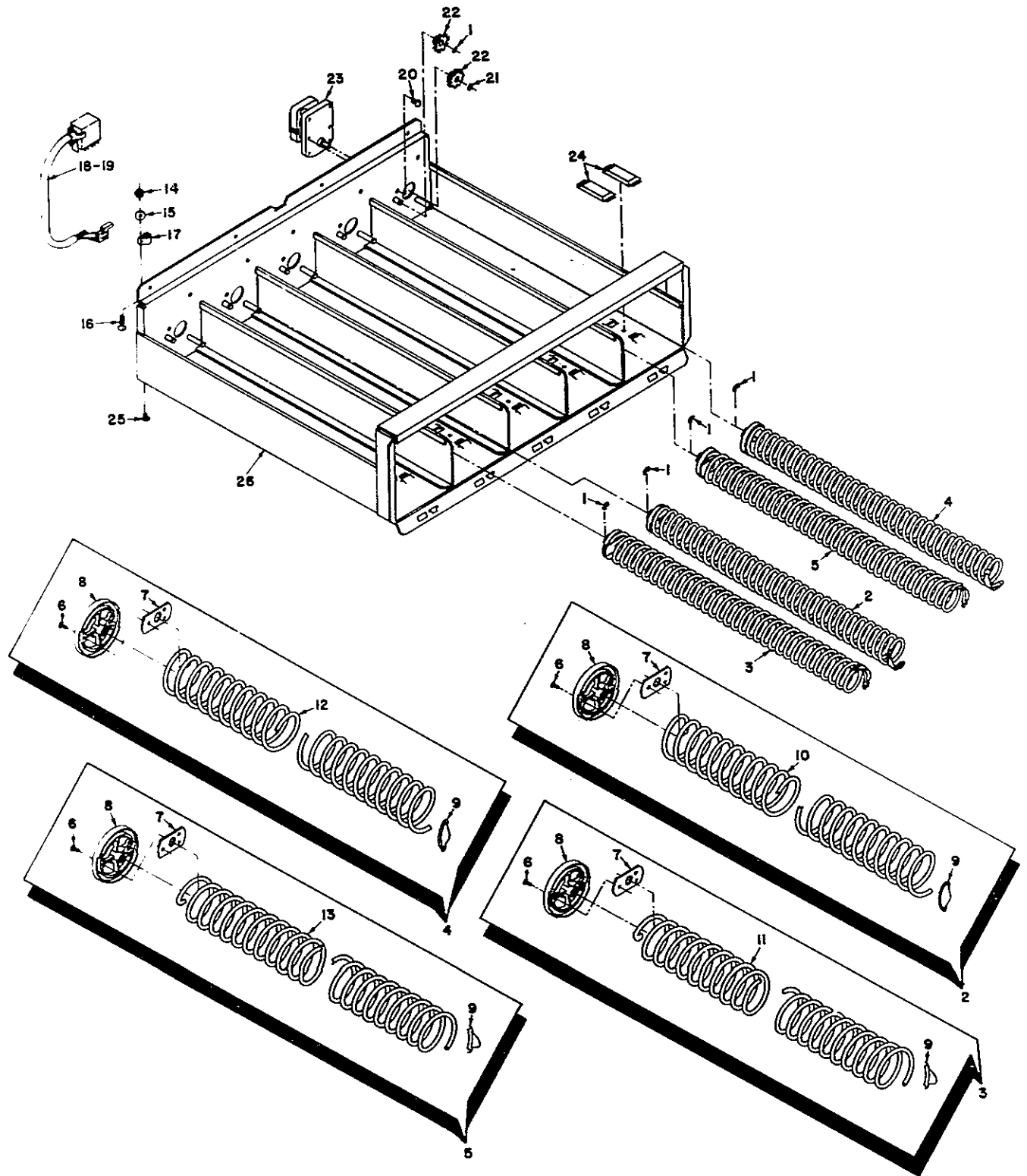


Figure 3 -- Center Tray Assembly Complete - 5 Column Low

INDEX NO.	PART NO.	DESCRIPTION	QTY. PER ASSEM.
1	R10K312X	Retaining Ring 5/16	15
2	210-5123	Right Hand Spring Auger Assembly - 1 1/2" Pitch	0 to 5
3	210-5124	Left Hand Spring Auger Assembly - 1 1/2" Pitch	0 to 5
4	210-5125	Right Hand Spring Auger Assembly - 1 3/4" Pitch	0 to 5
5	210-5126	Left Hand Spring Auger Assembly - 1 3/4" Pitch	0 to 5
6	S44C832-8	Screw #8-32 x 1/2	20
7	210-4036	Retainer - Helix	10
8	210-3006	Drive Gear - Helix	10
9	210-3020	Ejector	10
10	210-7015	Right Hand Spring Auger - 1 1/2" Pitch	0 to 5
11	210-7016	Left Hand Spring Auger - 1 1/2" Pitch	0 to 5
12	210-7011	Right Hand Spring Auger - 1 3/4" Pitch	0 to 5
13	210-7012	Left Hand Spring Auger - 1 3/4" Pitch	0 to 5
14	N20C832	Nut And Lockwasher #8-32	1
15	W10C8	Plain Washer #8	1
16	S20C832-8	Screw And Lockwasher #8-32 x 1/2	1
17	001-8008	Wire Clamp - 3/8	1
18	220-5070	Tray Wire Harness (Multi-Price Only)	0 or 1
19	220-5089	Tray Wire Harness (10 Price Only)	0 or 1
20	S41C832-6	Screw #8-32 x 3/8	10
21	210-8017	Pushnut	5
22	210-3005	Drive Gear	10
23	200-8005	Drive Motor	5
24	210-3010	Wear Pads	10
25	210-8021	Canoe Clip - .100 Round Head	3
26	220-5065	Tray Weldment - 5 Column Low	1

Figure 3 -- CENTER TRAY ASSEMBLY COMPLETE - 5 COLUMN LOW

Lektro Vend

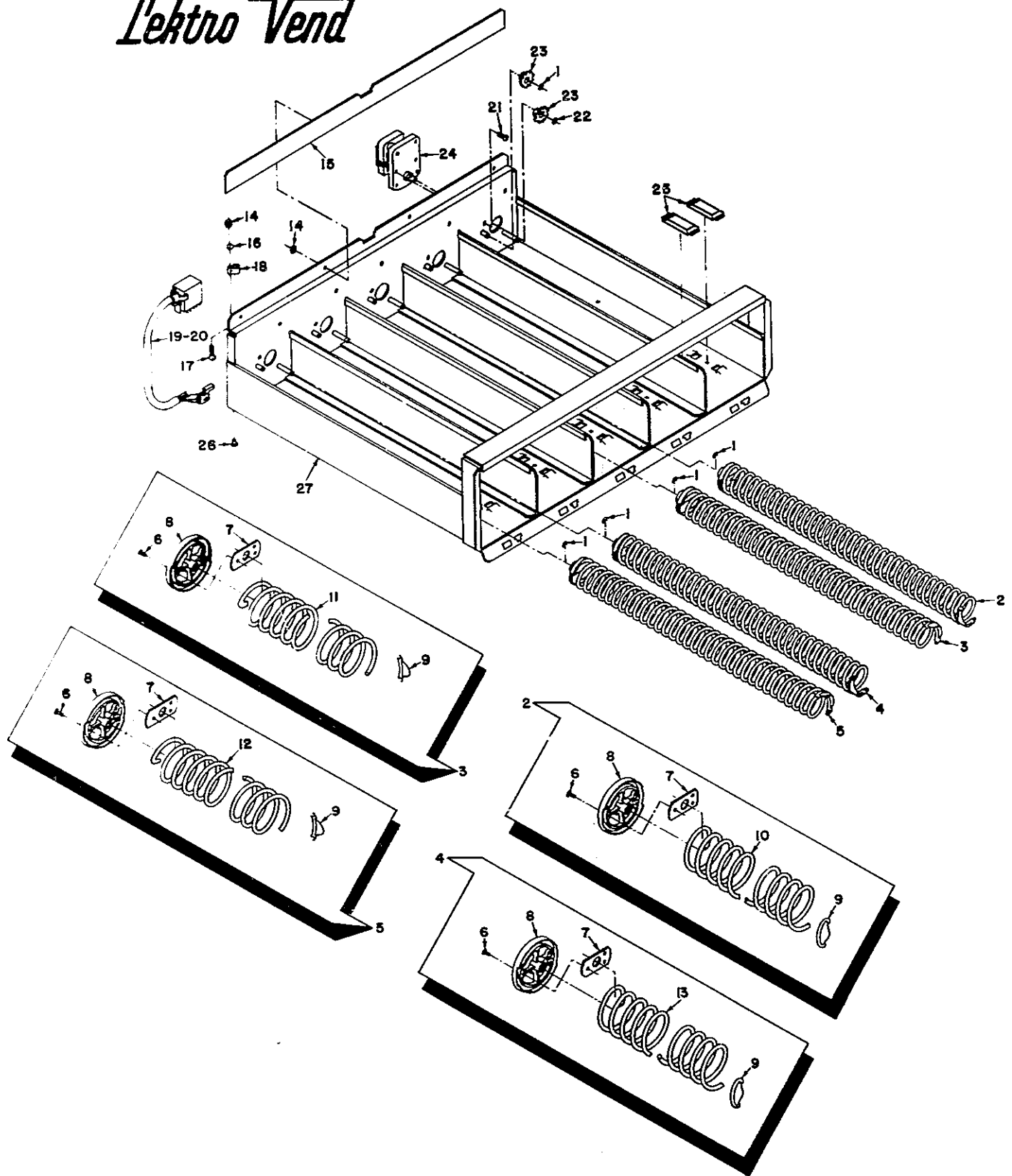


Figure 4 -- Tray Assembly Complete - 5 Column High

INDEX NO.	PART NO.	DESCRIPTION	QTY. PER ASSEM.
1	R10K312	Retaining Ring 5/16	15
2	210-5125	Right Hand Spring Auger Assembly - 1 3/4" Pitch	0 to 5
3	210-5126	Left Hand Spring Auger Assembly - 1 3/4" Pitch	0 to 5
4	210-5127	Right Hand Spring Auger Assembly - 2" Pitch	0 to 5
5	210-5128	Left Hand Spring Auger Assembly - 2" Pitch	0 to 5
6	S44C832-8	Screw #8-32 x 1/2	20
7	210-4036	Retainer - Helix	10
8	210-3006	Drive Gear - Helix	10
9	210-3020	Ejector	10
10	210-7011	Right Hand Spring Auger - 1 3/4" Pitch	0 to 5
11	210-7012	Left Hand Spring Auger - 1 3/4" Pitch	0 to 5
12	210-7017	Right Hand Spring Auger - 2" Pitch	0 to 5
13	210-7018	Left Hand Spring Auger - 2" Pitch	0 to 5
14	N20C832	Nut And Lockwasher #8-32	5
15	220-5067	Back Main Tray Extension Assembly	1
16	W10C8	Plain Washer #8	1
17	S20C832-8	Screw And Lockwasher #8-32 x 1/2	1
18	001-8008	Wire Clamp - 3/8	1
19	220-5070	Tray Wire Harness (Multi-Price Only)	0 or 1
20	220-5089	Tray Wire Harness (10 Price Only)	0 or 1
21	S41C832-6	Screw #8-32 x 3/8	10
22	210-8017	Pushnut	5
23	210-3005	Drive Gear	10
24	210-8005	Drive Motor	5
25	210-3010	Wear Pads	10
26	210-8021	Canoe Clip - .100 Round Head	3
27	220-5068	Tray Weldment - 5 Column High	1

Figure 4 -- TRAY ASSEMBLY COMPLETE - 5 COLUMN HIGH

Lekro Vend

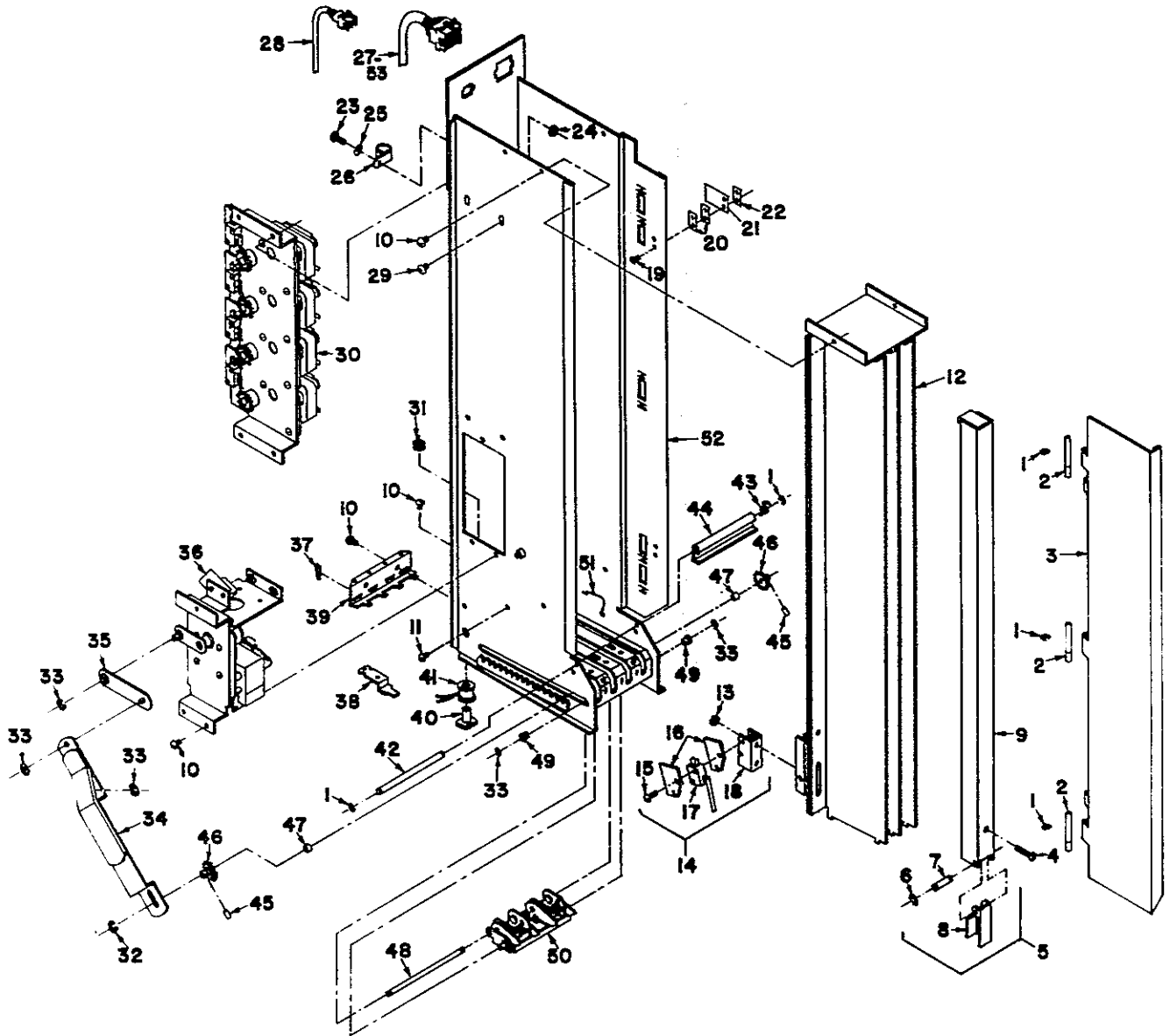


Figure 5 -- GUM AND MINT UNIT ASSEMBLY

INDEX NO.	PART NO.	DESCRIPTION	QTY. PER ASSEM.
1	R10K187	Retaining Ring 3/16	5
2	001-6064	Hinge Pin	3
3	210-5067	Mint Door Assembly	1
4	S20C832-16	Screw And Lock Washer #8-32 x 1"	4
5	150-5355	Spacer Assembly	4
6	R10K125	Retaining Ring 1/8	8
7	150-6082	Shaft - Mint Spacer	4
8	150-4362	Spacer Switch Actuator	4
9	150-5354	Spacer Weldment	4

INDEX NO.	PART NO.	DESCRIPTION	QTY. PER ASSEM.
10	S20C832-4	Screw And Lockwasher #8-32 x 1/4	14
11	S20C832-5	Screw And Lockwasher #8-32 x 5/16	2
12	210-5065	Stack Assembly	1
13	N20C632	Nut And Lockwasher	4
14	102-5145	Bracket And Switch Assembly	2
15	S10C440-9	Screw #4-40 x 9/16	8
16	501-9001	Switch Insulator	8
17	102-8001	Micro Switch	4
18	102-4043	Switch Mounting Bracket	2
19	S12C632-6	Screw #6-32 x 3/8	4
20	001-4125	Door Spring Spacer	4
21	001-7013	Door Spring	2
22	001-4126	Door Spring Nut Bar	2
23	S20C832-8	Screw And Lockwasher #8-32 x 1/2	1
24	N20C832	Nut And Lockwasher #8-32	1
25	W10C8	Washer #8	1
26	001-8018	Wire Clamp 5/8	1
27	200-5038	Mint Unit Wiring Harness (Multi-Price Only)	0 or 1
28	200-5039	Mint Unit Motor Wiring Harness	1
29	S41C832-5	Screw #8-32 x 5/16	4
30	200-5036	Mint Unit Column Motor Assembly	1
31	001-8020	3/8 Rubber Grommet	2
32	R10K375	Retaining Ring 3/8	1
33	R10K250	Retaining Ring 1/4	5
34	150-5349	Drive Arm Assembly	1
35	210-5066	Drive Link Assembly	1
36	200-5055	Drive Motor Assembly	1
37	001-7018	Extension Spring - Mint	4
38	150-5359	Armature Riveting Assembly	4
39	001-4127	Armature Retainer	1
40	170-5033	Core And Shading Ring Assembly	4
41	200-8008	Electro Magnet - Mint 24 Volt	4
42	150-6009	Shaft	1
43	210-7020	Torsion Spring	1
44	210-4093	Feeler Gate	1
45	P10K094-6	Rollpin 3/32 x 3/8	2
46	150-5422	Hub And Gear Assembly	2
47	150-6007	Spacer Roller	2
48	150-6013	Shaft Mint	1
49	001-6052	Shoulder Roller	2
50	150-5358	Pusher And Drive Bar Assembly	1
51	001-7012	Guide Spring	3
52	200-5037	Side Plates And Chassis Assembly	1
53	220-5092	Mint Unit Motor Harness (10 Price Only)	0 or 1

Figure 5 -- GUM AND MINT UNIT ASSEMBLY

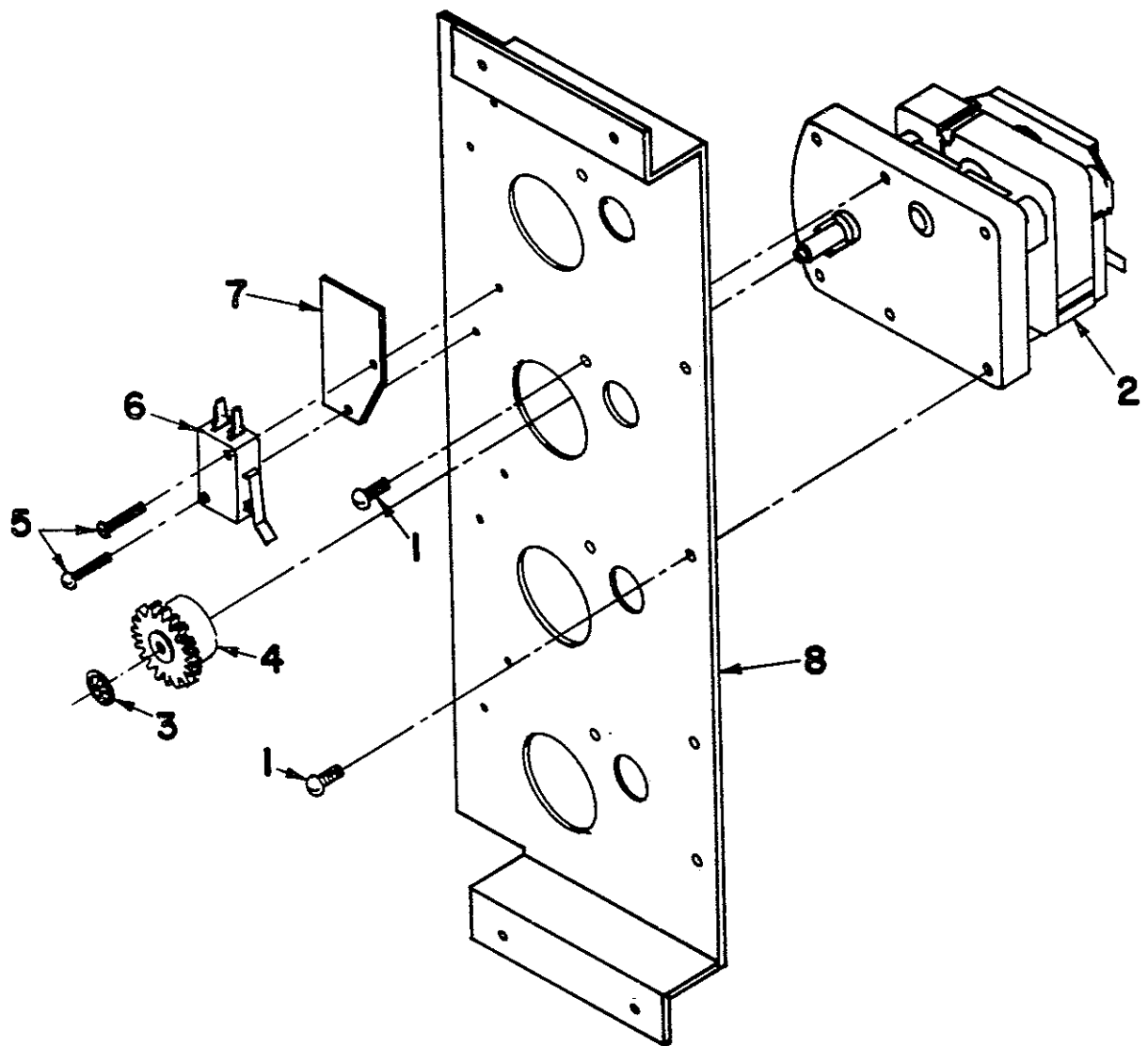


Figure 6 -- MINT UNIT COLUMN MOTOR ASSEMBLY

INDEX NO.	PART NO.	DESCRIPTION	QTY. PER ASSEM.
1	S41C832-6	Screw #8-32 x 3/8	8
2	200-8005	Drive Motor Column	4
3	210-8017	Pushnut	4
4	210-3005	Drive Gear - 20 Tooth	4
5	S41C440-10	Screw #4-40 x 5/8	8
6	200-8019	Mint Drive Motor Switch	4
7	501-9001	Switch Insulator	4
8	200-4089	Mint Unit Motor Bracket	1

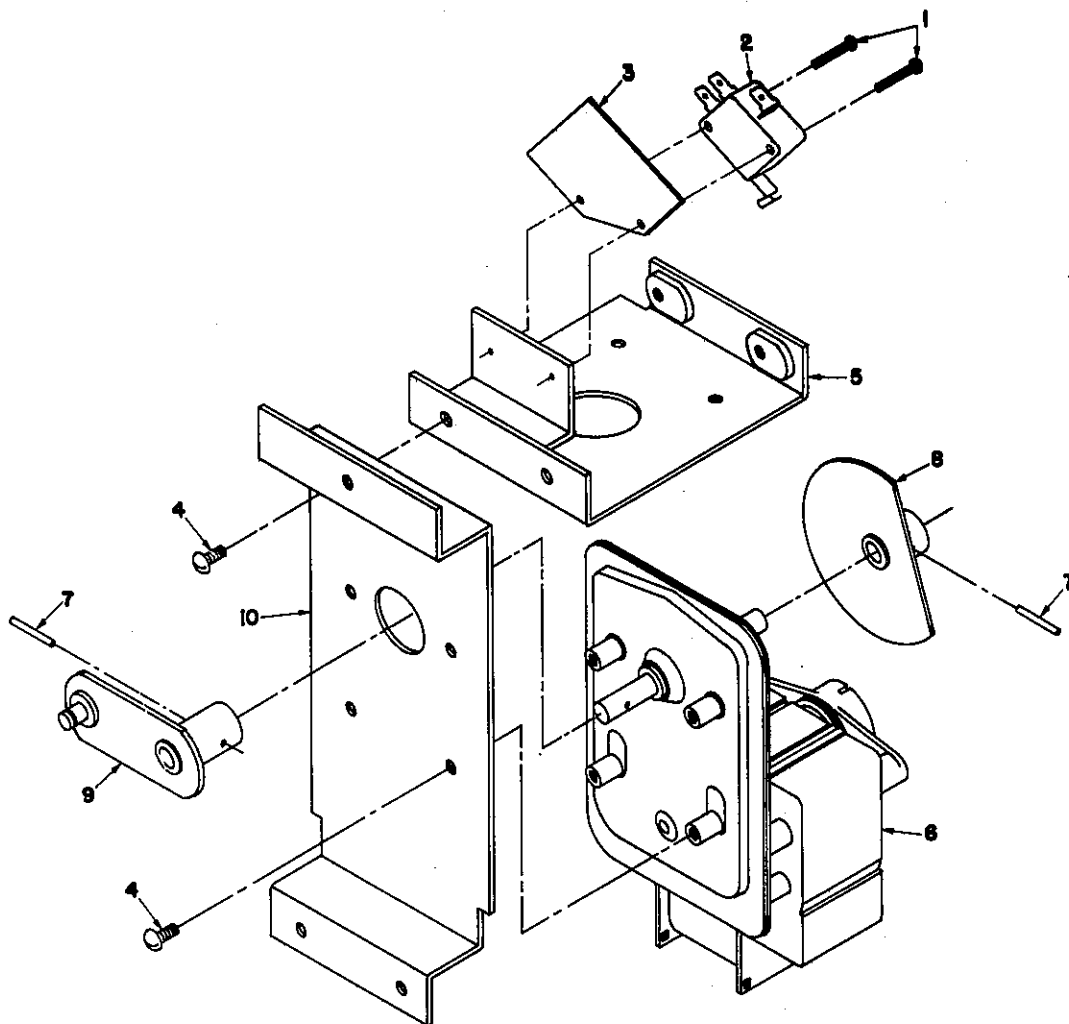


Figure 7 -- DRIVE MOTOR ASSEMBLY - MINT

INDEX NO.	PART NO.	DESCRIPTION	QTY. PER ASSEM.
1	S10C440-9	Screw #4-40 x 9/16	2
2	412-8009	Micro Switch	1
3	501-9001	Switch Insulator	1
4	S20C832-5	Screw And Lockwasher #8-32 x 5/16	6
5	200-5053	Motor Switch Bracket Assembly	1
6	112-8020	Drive Motor	1
7	P10K094-10	Rollpin 3/32 x 5/8	2
8	170-5054	Interlock Cam Assembly	1
9	150-5351	Drive Cam Assembly	1
10	150-4349	Motor Mounting Bracket	1

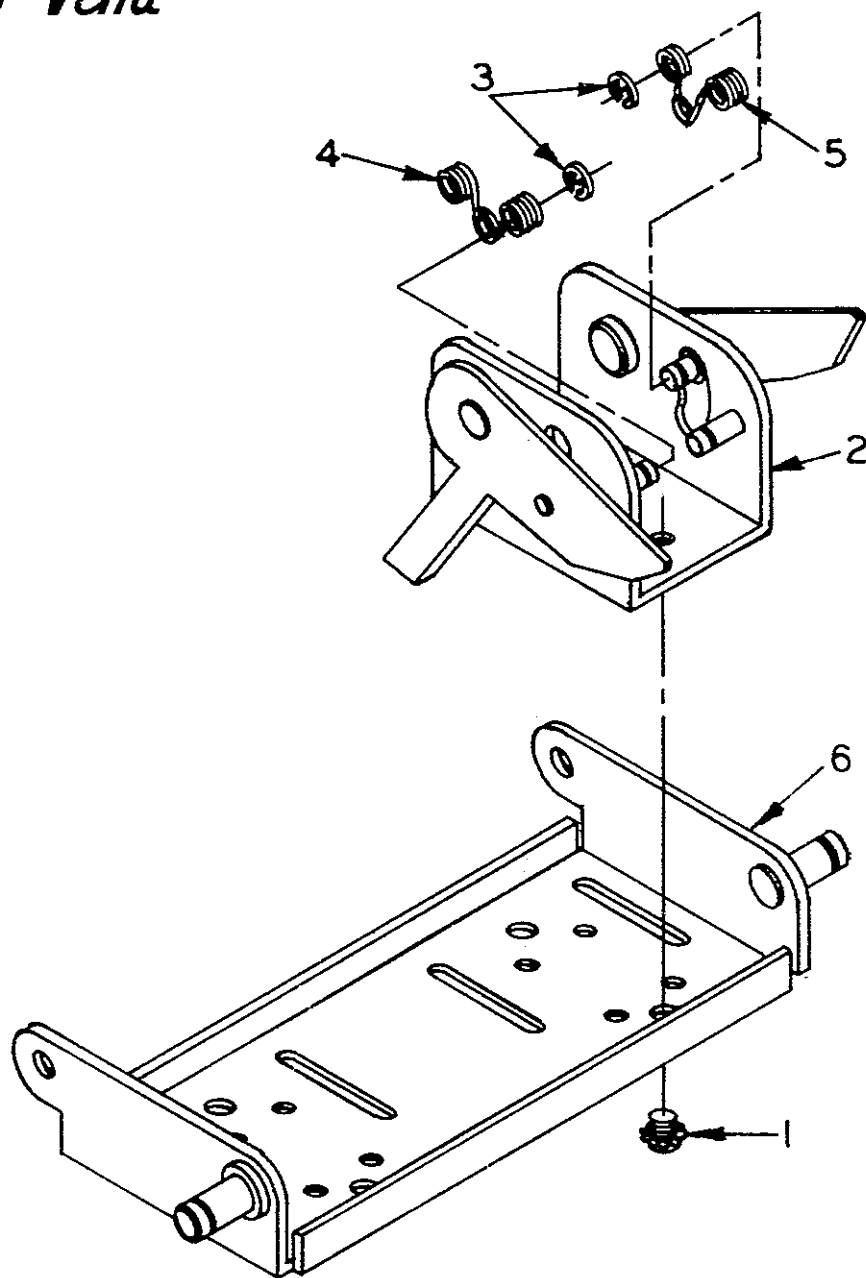


Figure 8 -- PUSHER AND DRIVE BAR ASSEMBLY

INDEX NO.	PART NO.	DESCRIPTION	QTY. PER ASSEM.
1	S20C1032-3	Screw And Lockwasher 10-32 x 3/16	4
2	001-5422	Pusher Support Assembly	2
3	R10K156	Retaining Ring 5/32	8
4	001-7024	Pusher Spring - Left Hand	2
5	001-7023	Pusher Spring - Right Hand	2
6	150-5357	Pusher Drive Bar Assembly	1

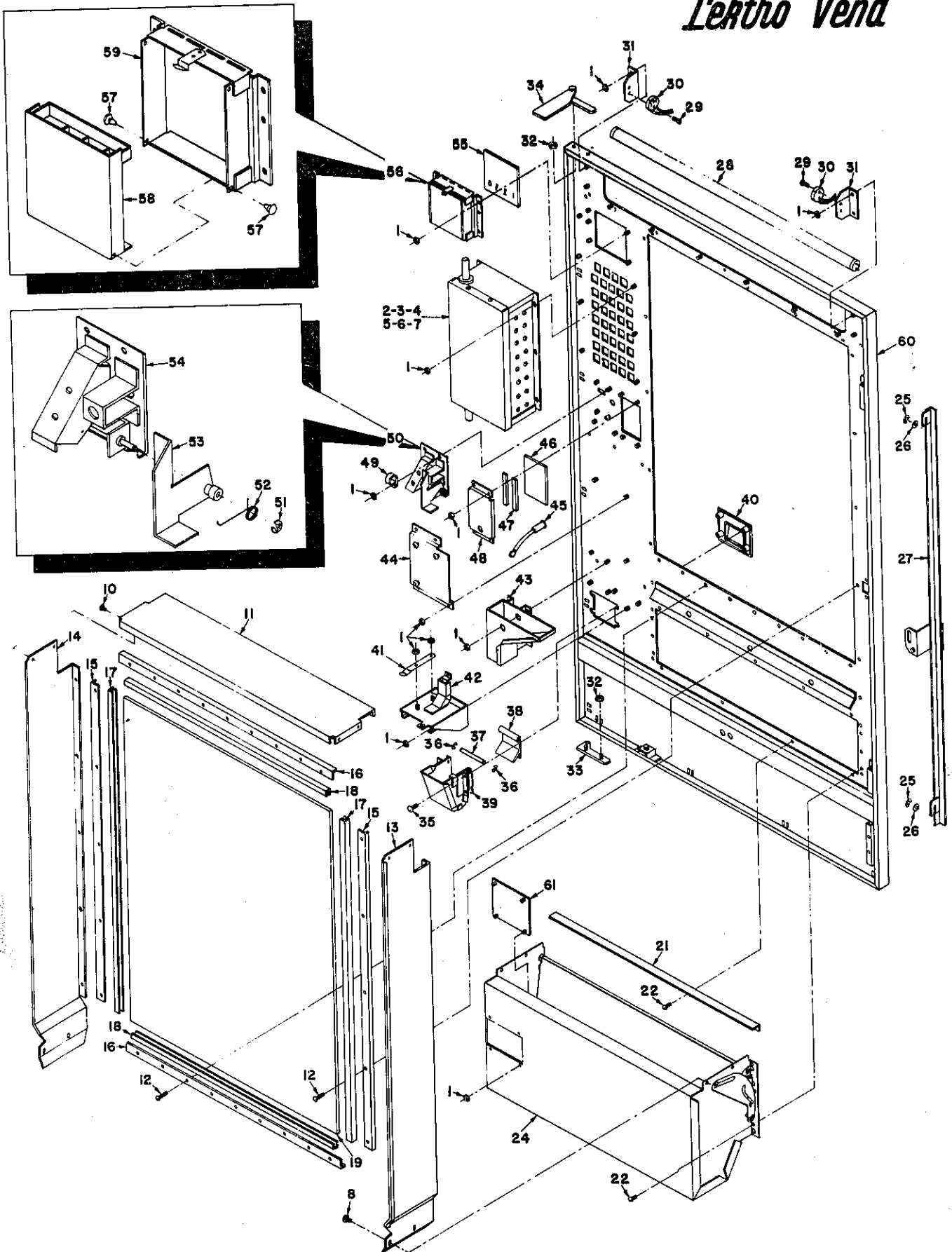


Figure 9 -- Door Assembly - All Models

Lektro Vend

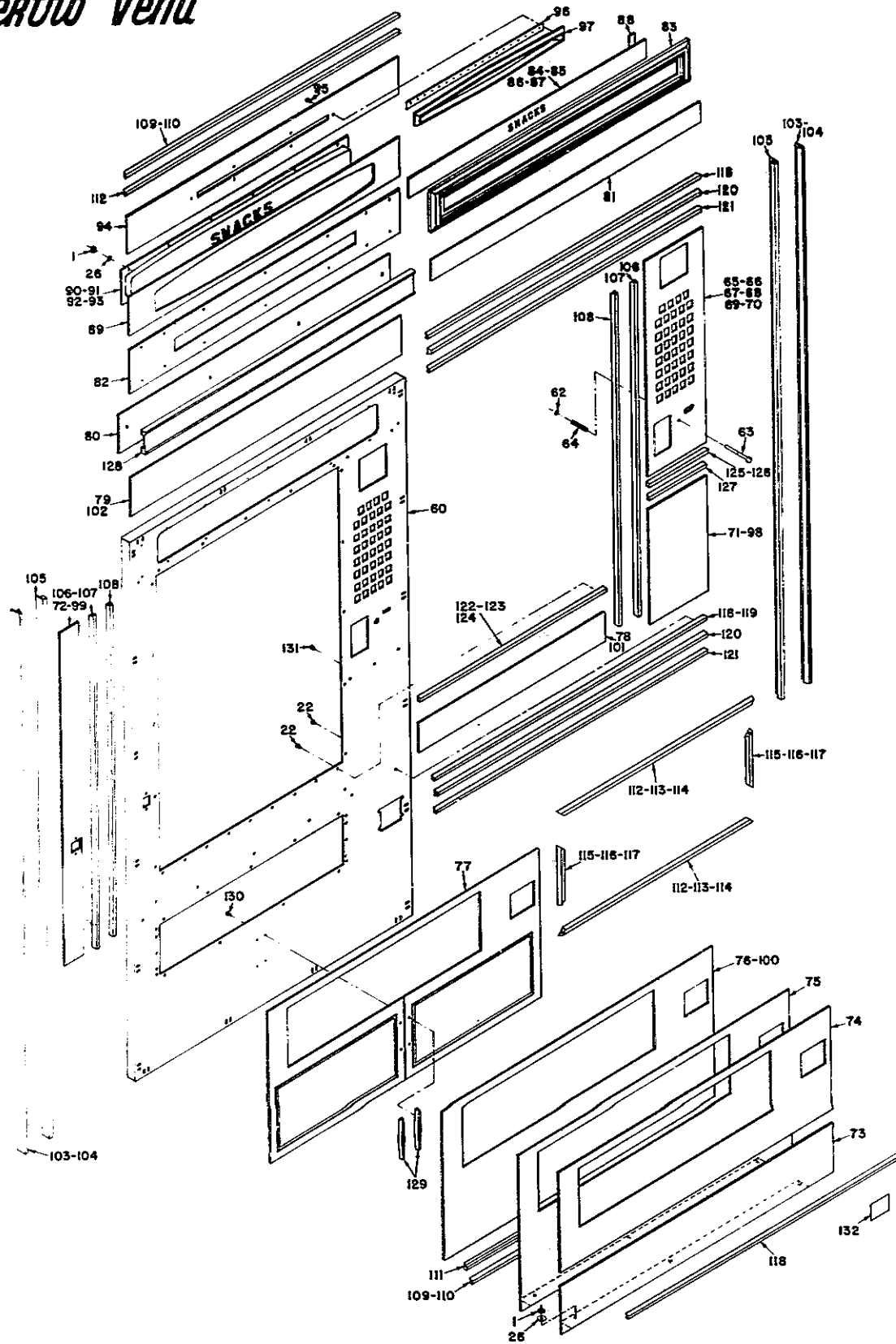


Figure 9 -- Door Assembly - All Models

INDEX NO.	PART NO.	DESCRIPTION	QTY. PER ASSEM.
1	N20C832	Nut And Lockwasher #8-32	43 to 50
2	220-5081	Selector Assembly - Model 220 - Multi-Price	0 or 1
3	221-5011	Selector Assembly - Model 221 - Multi-Price	0 or 1
4	222-5011	Selector Assembly - Model 222 - Multi-Price	0 or 1
5	220-5085	Selector Assembly - Model 220 - 10 Price	0 or 1
6	221-5013	Selector Assembly - Model 221 - 10 Price	0 or 1
7	222-5013	Selector Assembly - Model 222 - 10 Price	0 or 1
8	S11C832-4	Screw #8-32 x 1/4	7
10	S42C832-4	Screw #8-32 x 1/4	4
11	220-4071	Top Support - Product Guide	1
12	S39C818-10	Screw #8-18 x 5/8	20
13	220-4110	Right Hand Product Guide	1
14	220-4111	Left Hand Product Guide	1
15	210-4051	Glass Retainer - Right And Left Hand	2
16	210-4052	Glass Retainer - Top And Bottom	2
17	210-9007	Display Glass Gasket - Vertical	2
18	210-9008	Display Glass Gasket - Horizontal	2
19	210-9006	Door Display Glass	1
21	210-4044	Support - Delivery Tray	1
22	S39C818-6	Screw #8-18 x 3/8	32
24	210-5110	Delivery Tray Assembly	1
25	R10K187	Retaining Ring 3/16	2
26	W10C10	Flat Washer #10	2 to 5
27	170-5029	Lock Bar Assembly	1
28	150-8023	Fluorescent Lamp - 25 Watt	1
29	S10C440-8	Screw #4-40 x 1/2	4
30	220-5031	Display Light Harness	1
31	220-4069	Light Bracket	2
32	N20C2520	Nut And Lockwasher #1/4-20	4
33	150-5313	Bottom Door Hinge Assembly	1
34	150-5316	Top Hinge Assembly	1
35	S20C1032-8	Screw And Lockwasher #10-32 x 1/2	4
36	R10K125	Retaining Ring 1/8	2
37	001-6122	Pin - Coin Return Cup	1
38	001-2004	Coin Return Door	1
39	001-5132	Coin Return Cup Assembly	1
40	001-2003	Coin Return Front	1
41	210-7005	Spring Latch - Cash Box	1
42	200-5016	Retainer Assembly - Cash Box	1
43	220-5095	Coin Return Chute Assembly	1
44	200-5014	Coin Mechanism Mounting Plate	1
45	200-5034	Indicator Light Assembly	1
46	200-9010	Instruction Glass	1
47	160-8011	Out Glass Gasket	2
48	200-4020	Instruction Glass - Cover	1
49	001-8008	Wire Clamp 3/8	1

Figure 9 -- DOOR ASSEMBLY - ALL MODELS

Lektro Vend

INDEX NO.	PART NO.	DESCRIPTION	QTY. PER ASSEM.
50	200-5026	Coin Chute And Return Arm Assembly	1
51	R10K250	Retaining Ring 1/4	1
52	150-7009	Coin Return Arm Spring	1
53	200-5021	Coin Return Arm Assembly	1
54	200-5013	Coin Chute And Bracket Assembly	1
55	220-9006	Glass - Mint Display	1
56	220-5032	Mint Display Assembly	1
57	210-8021	Plastic Canoe Clip - Round Head	2
58	220-5022	Mint Display Holder Assembly	1
59	220-5033	Frame And Latch Spring Assembly	1
60	220-5020	Door Weldment	1
61	212-5020	No Mint Cover - Delivery Tray	1
62	R10K312X	Retaining Ring 5/16	1
63	150-5228	Coin Return Pin Assembly	1
64	001-7019	Coin Return Spring	1
65	220-4020	Coin Entrance Plate - Model 220	1
66	221-4020	Coin Entrance Plate - Model 221	1
67	222-4020	Coin Entrance Plate - Model 222	1
68	220-4090	Coin Entrance plate - Model 220 No Mint	1
69	221-4022	Coin Entrance Plate - Model 221 No Mint	1
70	222-4022	Coin Entrance Plate - Model 222 No Mint	1
71	220-4018	Right Hand Center Panel	0 or 1
72	220-4077	Door Panel Left Hand - "T" Handle	0 or 1
73	160-5103	Door Bottom Panel Assembly - Vendo	0 or 1
74	220-4103	Door Panel - Lower	0 or 1
75	220-5100	Door Bottom Panel Assembly - Rowe Award	0 or 1
76	220-4017	Door Panel - Bottom Long	0 or 1
77	220-4102	Door Panel - Bottom - National Golden Furniture	0 or 1
78	220-4019	Door Panel - Lower	0 or 1
79	150-4288	Door Panel - Top	0 or 1
80	220-4101	Door Panel - Top - Rowe Award	0 or 1
81	160-4280	Door Panel - Top	0 or 1
82	220-5098	Door Top Panel Assembly - National Golden Furniture	0 or 1
83	160-3033	Top Light Frame - National Golden Furniture	0 or 1
84	160-9010	Sign Glass - Candy - National Golden Furniture	0 or 1
85	160-9011	Sign Glass - Pastries - National Golden Furniture	0 or 1
86	160-9012	Sign Glass - Snacks - National Golden Furniture	0 or 1
87	160-9013	Sign Glass - Pastries Candy - Natl. Golden Furniture	0 or 1
88	160-9016	National Golden Furniture Sign Glass Gasket	0 or 1
89	150-4289	Door Top Panel - Lighted	0 or 1
90	150-3022	Sign - National Candy	0 or 1
91	150-3023	Sign - National Pastry	0 or 1
92	150-3024	Sign - National Pastry Candy	0 or 1
93	150-3025	Sign - National Snacks	0 or 1
94	170-4130	Door Top Panel - National Imperial Crown	0 or 1
95	S40C818-6	Screw #8-18 x 3/8	0 or 6

Figure 9 -- DOOR ASSEMBLY - ALL MODELS

INDEX NO.	PART NO.	DESCRIPTION	QTY. PER ASSEM.
96	170-9015	Sign Glass - National Imperial Crown	0 or 1
97	170-3010	Sign Glass Frame - National Imperial Crown	0 or 1
98	220-4095	Right Hand Center Panel	0 or 1
99	220-4096	Door Panel Left Hand <i>IL</i>	0 or 1
100	220-4098	Door Panel - Bottom Long	0 or 1
101	220-4097	Door Panel - Lower <i>IL</i>	0 or 1
102	170-4135	Door Panel - Top	0 or 1
103	150-2022	Door Frame Sides	0 or 2
104	170-2012	Door Frame Sides - National Golden Furniture	0 or 2
105	160-2041	Door Frame Sides - Rowe Award	0 or 2
106	170-2000	Door Extrusion Right And Left Hand Vertical	0 or 2
107	220-2009	Door Extrusion Right And Left Hand Vert.-Rowe Award	0 or 2
108	170-2013	Door Extrusion Right And Left Hand Vert.-NGF	0 or 2
109	150-2021	Door Frame Ends	0 or 2
110	170-2011	Door Frame Ends - National Golden Furniture	0 or 2
111	210-2026	Door Frame Ends - National Imperial Crown	0 or 2
112	210-2005	Delivery Tray Extrusion Top And Bottom	0 or 2
113	210-2012	Delivery Tray Extrusion Top And Bottom - NGF	0 or 2
114	210-2020	Delivery Tray Extrusion Top And Bottom - Rowe Award	0 or 2
115	220-2005	Delivery Tray Extrusion Right And Left Hand Sides	0 or 2
116	220-2010	Delivery Tray Extrusion Right & Left Hand Sides-NGF	0 or 2
117	220-2007	Delivery Tray Extrusion Right & Left Hand Sides-RA	0 or 2
118	170-2002	Door Extrusion Top And Bottom Horizontal	0 or 3
119	170-2015	Door Extrusion Top And Bottom Horizontal - NGF	0 or 1
120	170-2024	Door Extrusion Top And Bottom Horizontal - RA	0 or 2
121	210-2025	Door Extrusion Horizontal -National Imperial Crown	0 or 2
122	210-2006	Door Extrusion - Center Horizontal	0 or 1
123	210-2013	Door Extrusion - Center Horizontal - NGF	0 or 1
124	210-2021	Door Extrusion - Center Horizontal - Rowe Award	0 or 1
125	200-2009	Door Extrusion - Right Hand Center Horizontal	0 or 1
126	220-2011	Door Extrusion - R.H. Center Horizontal - NGF	0 or 1
127	200-2017	Door Extrusion - R.H. Center Horizontal - RA	0 or 1
128	160-2040	Door Frame Top - Rowe Award	0 or 1
129	160-3034	Handle - National Golden Furniture	0 or 2
130	S40C620-3	Screw #6-20 x 3/16	0 or 4
131	S40C620-6	Screw #6-20 x 3/8	16 to 34
132	001-8102	Name Plate	1

Figure 9 -- DOOR ASSEMBLY - ALL MODELS

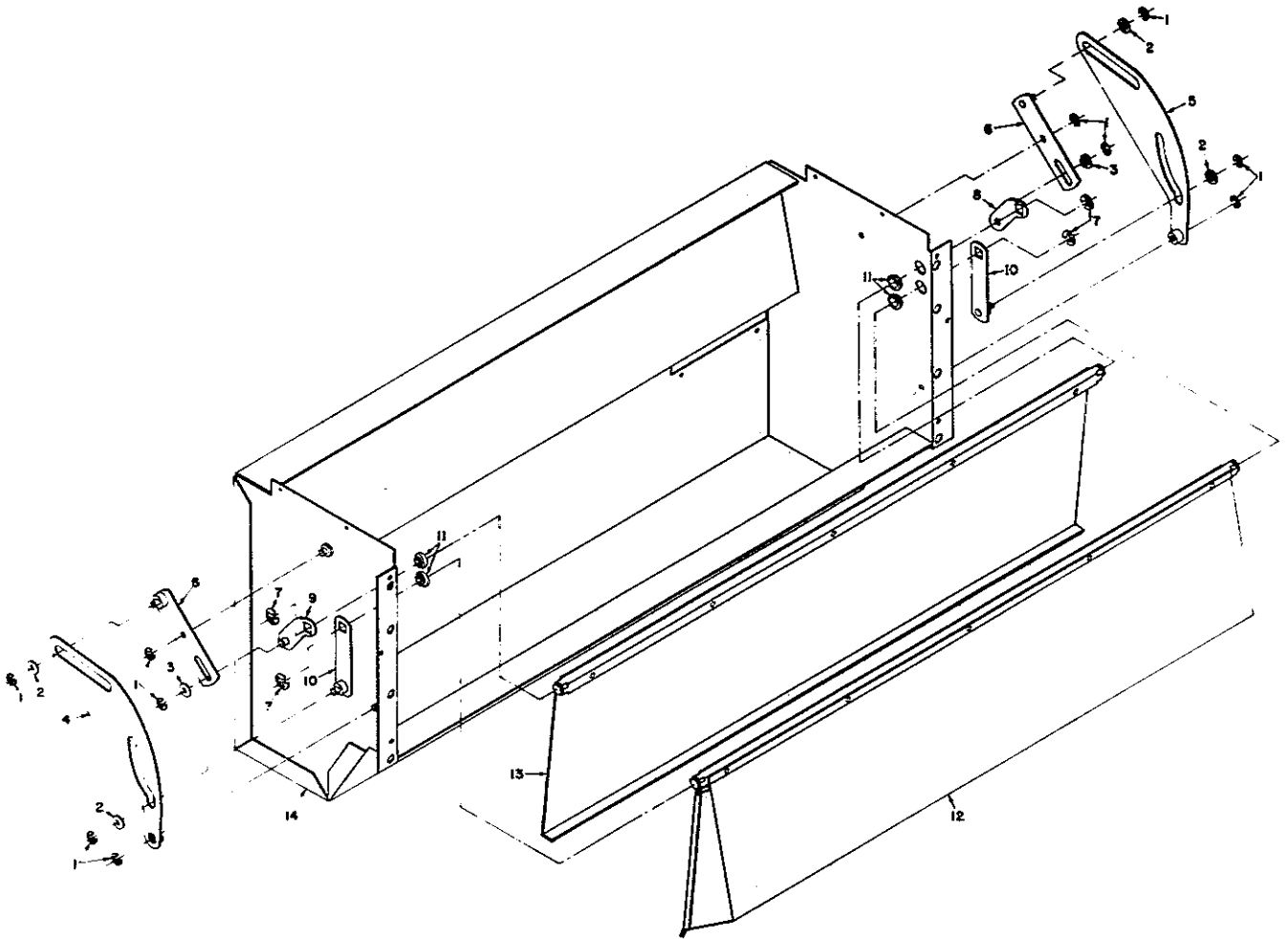


Figure 10 -- DELIVERY TRAY ASSEMBLY

INDEX NO.	PART NO.	DESCRIPTION	QTY. PER ASSEM.
1	R10K250	Retaining Ring 1/4	10
2	220-6020	Roller - Drive And Lift Arm	4
3	220-6021	Roller - Lift Arm	2
4	220-5121	Left Hand Idler Arm Assembly	1
5	220-5120	Right Hand Idler Arm Assembly	1
6	220-5119	Lift Arm Assembly - Anti Cheat	2
7	R10K375	Retaining Ring 3/8	4
8	220-5116	Right Hand Drive Arm Assembly - Anti Cheat Door	1
9	220-5117	Left Hand Drive Arm Assembly - Anti Cheat Door	1
10	220-5118	Drive Arm Assembly - Delivery Door	2
11	220-6022	Bushing - Delivery And Anti Cheat Door	4
12	220-5114	Delivery Door Assembly	1
13	220-5115	Anti Cheat Door Assembly	1
14	220-5111	Delivery Tray Weld Assembly	1

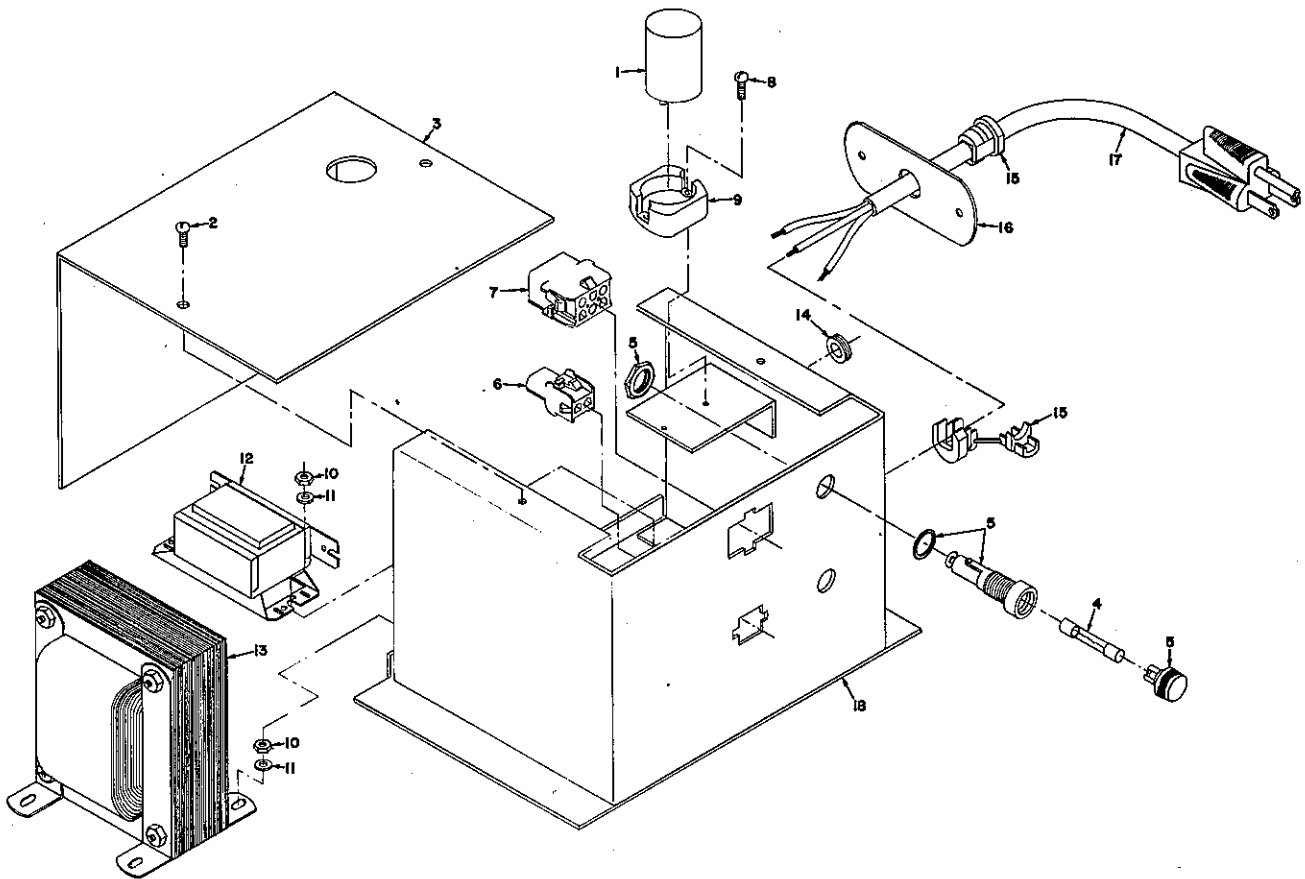


Figure 11 -- JUNCTION BOX ASSEMBLY

INDEX NO.	PART NO.	DESCRIPTION	QTY. PER ASSEM.
1	001-8101	Starter FS 25	1
2	S42C832-4	Screw #8-32 x 1/4	2
3	200-4091	Junction Box Back	1
4	200-8031	Fuse 3.2 Amp.	2
5	001-8071	Fuse Holder	2
6	210-8003	Cap Housing (2 Circuit)	1
7	210-8005	Cap Housing (6 Circuit)	1
8	S10C440-6	Screw #4-40 x 3/8	2
9	001-8028	Starter Socket	1
10	N20C832	Nut And Lockwasher #8-32	6
11	W10C8	Washer #8	6
12	400-8046	Ballast - 22 Watt	1
13	200-8011	Transformer	1
14	001-8020	Rubber Grommet 3/8	1
15	001-8081	Strain Relief	2
16	160-4099	Power Cord Plate	1
17	001-8080	Power Cord	1
18	200-5071	Junction Box Weldment	1

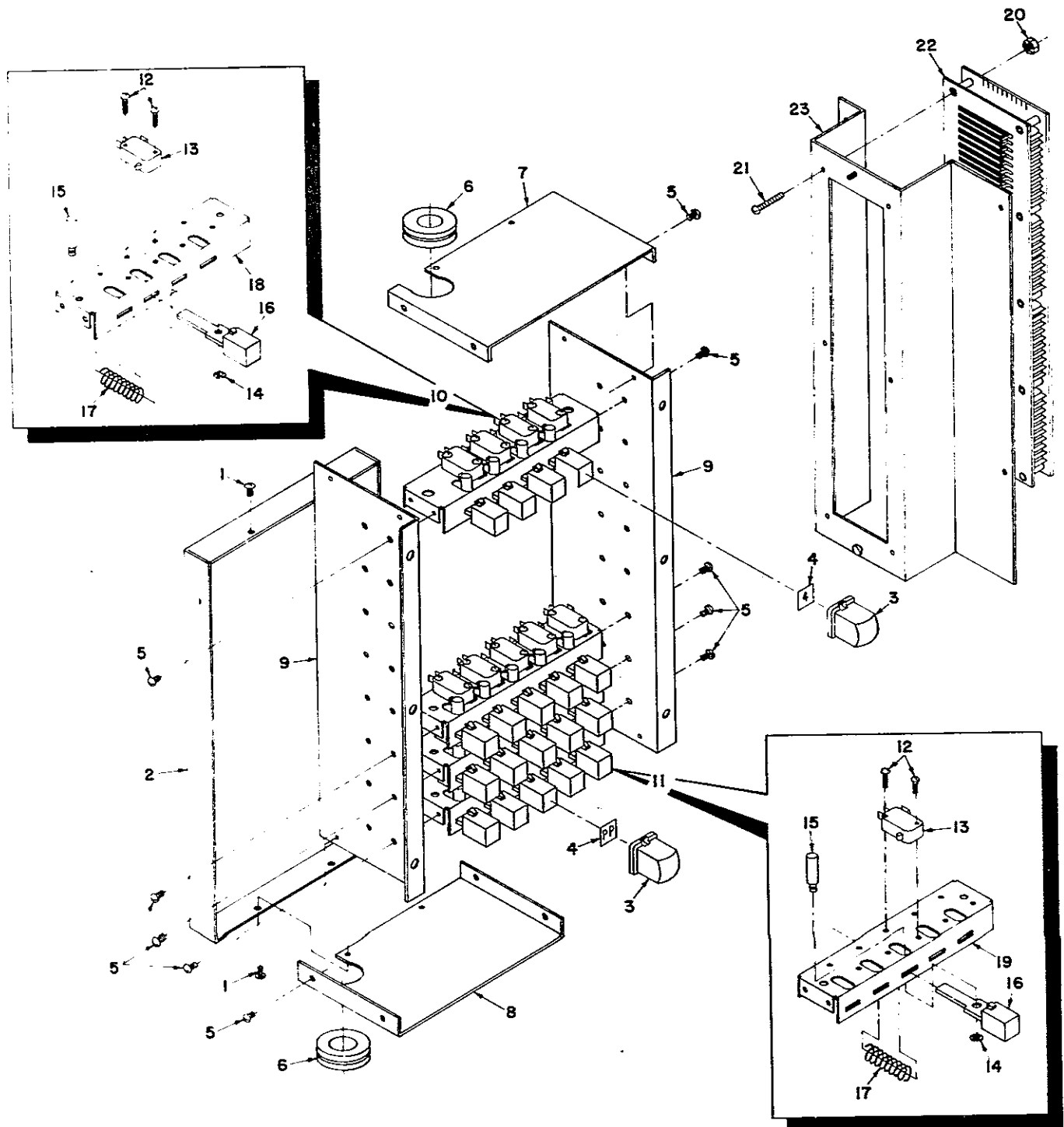


Figure 12 -- Selector Assembly Complete - All Models

INDEX NO.	PART NO.	DESCRIPTION	QUANTITY PER ASSEMBLY MODEL NO.		
			220	221	222
1	S42C832-4	Screw #8-32 x 1/4	4	4	4
2	220-4034	Selector Cover	1	1	1
3	210-3016	Cover Push Button	39	34	29
4	222-8003	Push Button Letters	1	1	1
5	S41C832-5	Screw #8-32 x 5/16	40	36	32
6	001-8082	Rubber Grommet 1 1/8	2	2	2
7	220-4072	Top - Selector Frame	1	1	1
8	220-4073	Bottom - Selector Frame	1	1	1
9	220-4065	Selector Frame Side	2	2	2
10	200-5063	4 Column Selector Sub Assembly	1	1	1
11	220-5080	5 Column Selector Sub Assembly	7	6	5
12	S41C440-10	Screw #4-40 x 5/8	78	68	58
13	001-8015	Micro Switch	39	34	29
14	R10K187X	Retaining Ring 3/16	39	34	29
15	200-6001	Selector Switch Pin	39	34	29
16	200-5061	Push Button Assembly	39	34	29
17	200-7000	Push Pin Spring	39	34	29
18	200-4080	4 Column Selector Frame	1	1	1
19	200-4081	5 Column Selector Frame	7	6	5
20	N20C832	Nut And Lockwasher #8-32 (10 Price Only)	6	6	6
21	S20C832-16	Screw #8-32 x 1" (10 Price Only)	6	6	6
22	210-8018	Matrix Selector Switch (10 Price Only)	1	1	1
23	220-5093	Mounting Frame-Price Board Assem.(10 Price Only)	1	1	1

Figure 12 -- SELECTOR ASSEMBLY COMPLETE - ALL MODELS

240 ~~5033~~
4023

200-2025
200 2026